

Product Information

High Power LED Drivers

MLX1080x

MLX10801 and MLX10803 are general purpose LED drivers for high power LEDs. MLX10801 has an integrated transistor and EEPROM for parameter setting. MLX10803 has the parameters defined with external components. The circuits comply with the most demanding internationally recognized Automotive Quality Standard, ISO/TS16949.

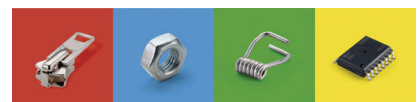
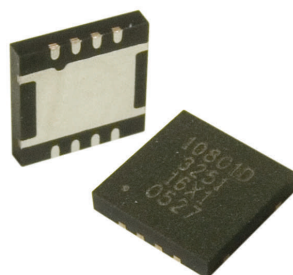
Melexis
Microelectronic Integrated Systems

Features

- Low switching noise due to randomized switching frequency
- High flexibility and functionality at a very low cost
- Superior in performance and robustness
- Over temperature protection (built-in or with simple external components)
- Applications from 100 mW to 1 kW
- Very good PFC for AC applications alternatives

Applications

- Backlight panels
- Automotive front and rear lamps
- Automotive interior lighting
- Domestic and industrial lighting
- Emergency lighting
- Street lighting
- Consumer products
- Architectural lighting



Small things make a big difference.

Automotive ICs

RF & RFID

Sensor Interface

Intelligent Drivers
and Actuators

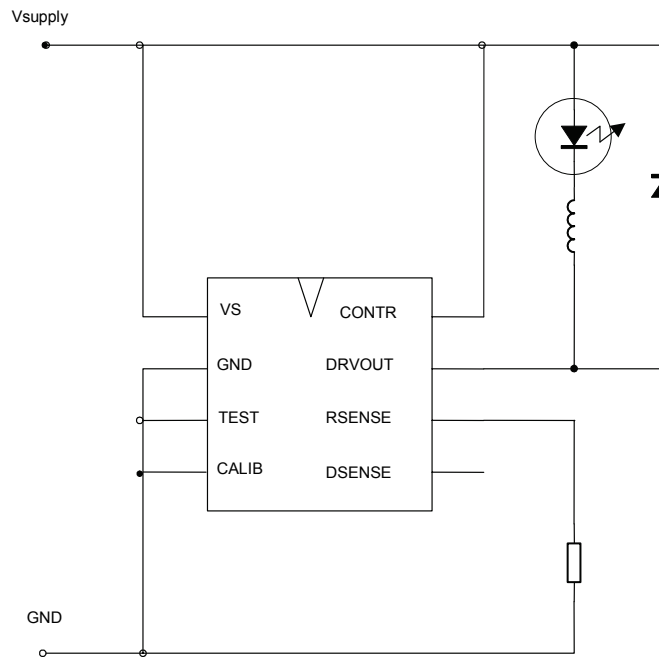
Hall ICs

CMOS Imaging

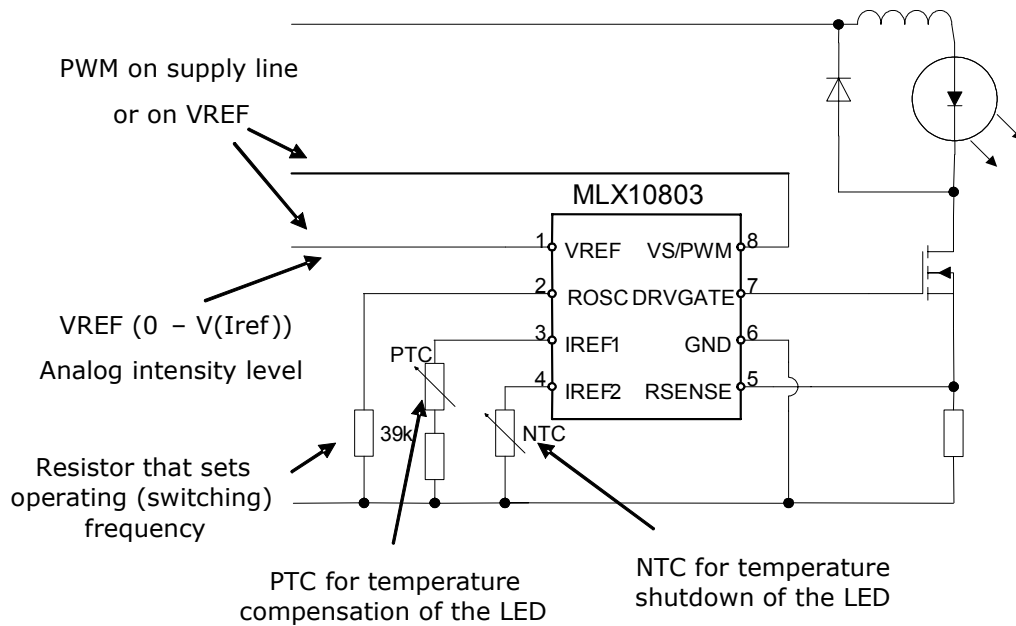
Silicon MEMS

BUS ICs

Application Schematic for MLX10801



Application Schematic for MLX10803



Disclaimer:

Devices sold by Melexis are covered by the warranty and patent indemnification provisions appearing in its Term of Sale. Melexis makes no warranty, express, statutory, implied, or by description regarding the information set forth herein or regarding the freedom of the described devices from patent infringement. Melexis reserves the right to change specifications and prices at any time and without notice. Therefore, prior to designing this product into a system, it is necessary to check with Melexis for current information. This product is intended for use in normal commercial applications. Applications requiring extended temperature range, unusual environmental requirements, or high reliability applications, such as military, medical life-support or life-sustaining equipment are specifically not recommended without additional processing by Melexis for each application. The information furnished by Melexis is believed to be correct and accurate. However, Melexis shall not be liable to recipient or any third party for any damages, including but not limited to personal injury, property damage, loss of profits, loss of use, interrupt of business or indirect, special incidental or consequential damages, of any kind, in connection with or arising out of the furnishing, performance or use of the technical data herein. No obligation or liability to recipient or any third party shall arise or flow out of Melexis' rendering of technical or other services. © 2006 Melexis NV. All rights reserved.

Email Europe and rest of the world:
sales_europe@melexis.com

Email USA :
sales_usa@melexis.com

Email Asia:
sales_asia@melexis.com

For additional information go to our website at:

www.melexis.com

Melexis
Microelectronic Integrated Systems